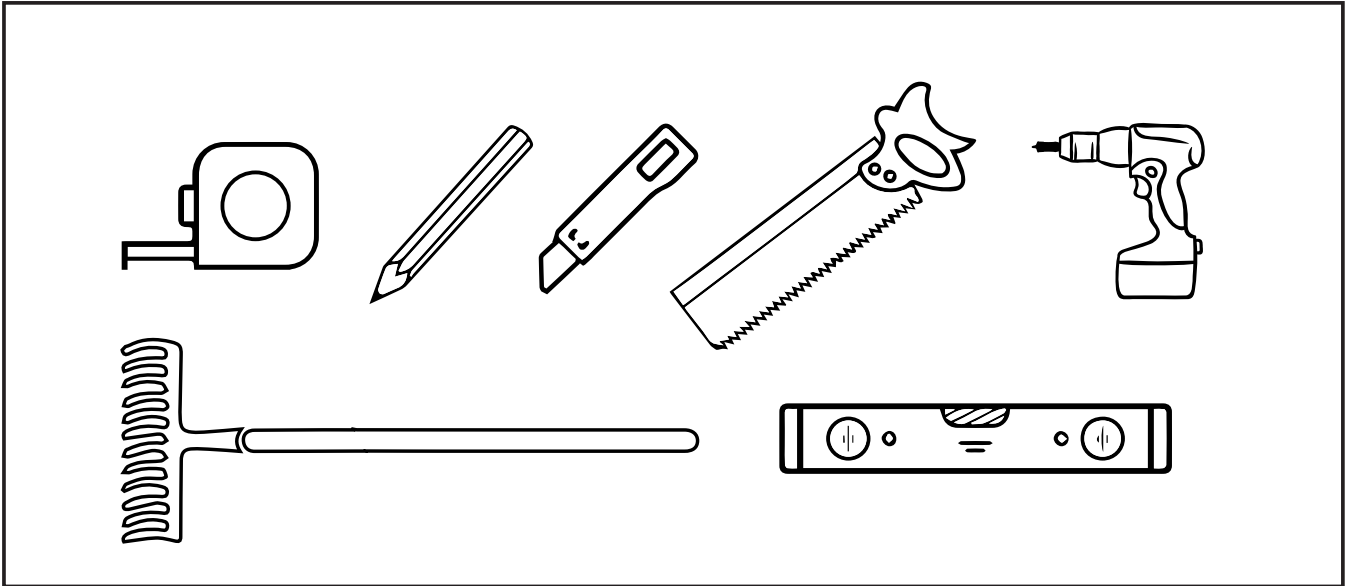


Install Guide



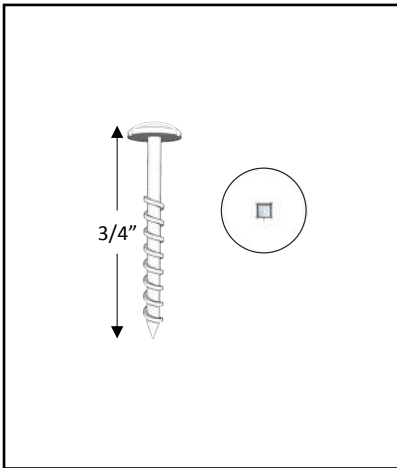
shopsmartstall.com

TOOLS

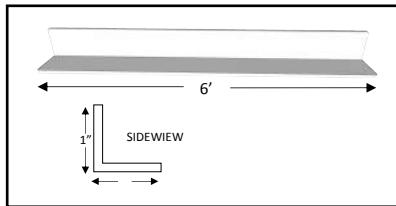


PARTS

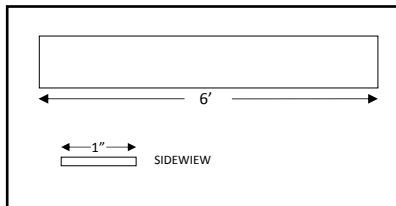
#8 x 3/4" WOOD SCREW



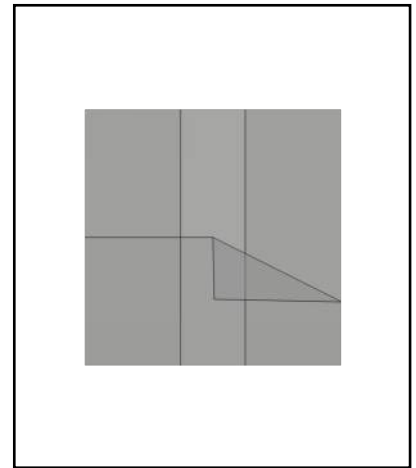
FIBERGLASS L-TRIM (YELLOW)



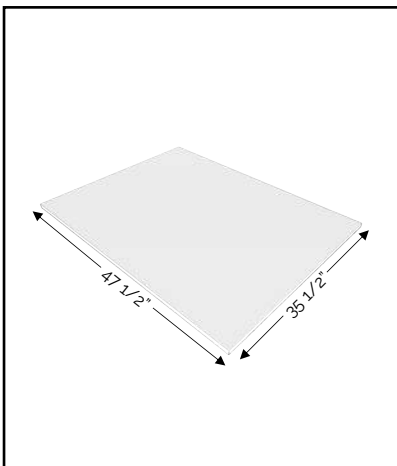
FIBERGLASS FLAT TRIM (YELLOW)



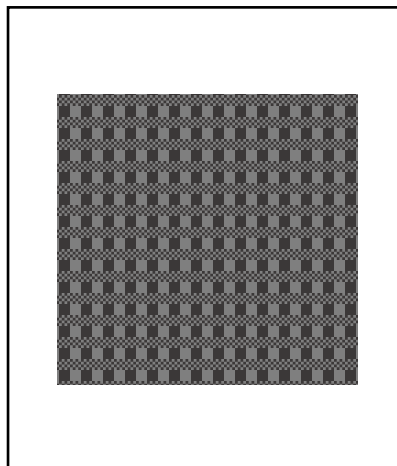
CLEAR PLASTIC VAPOR BARRIER



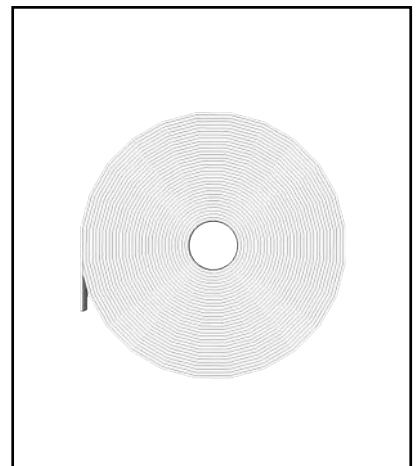
MEMORY FOAM (WHITE)



TOP COVER (BLACK)



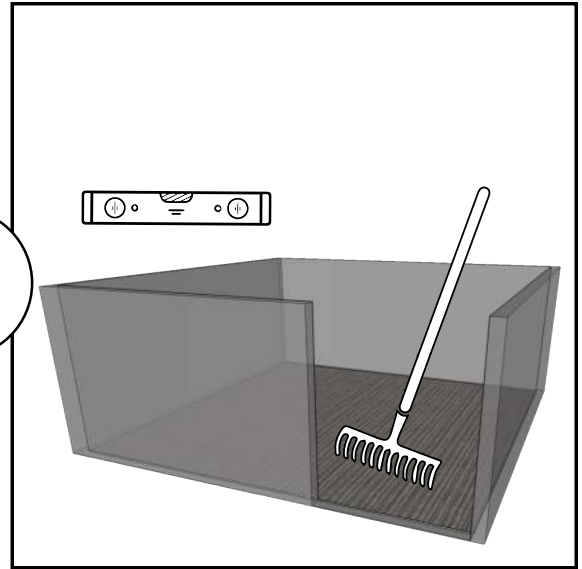
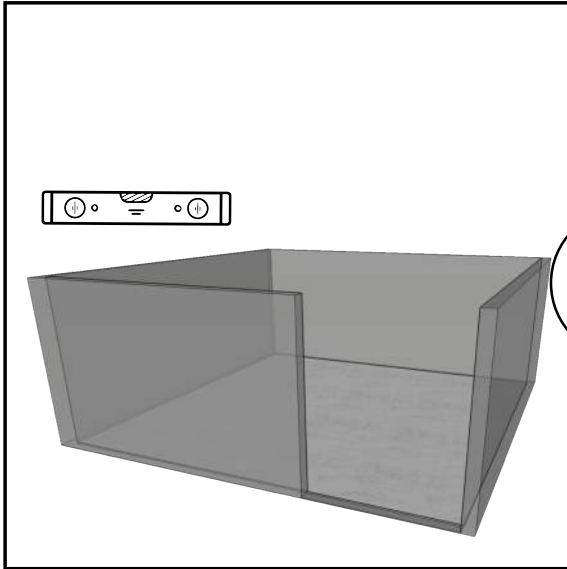
FOAM GASKET ROLL



CONCRETE BASE

STONE BASE

1

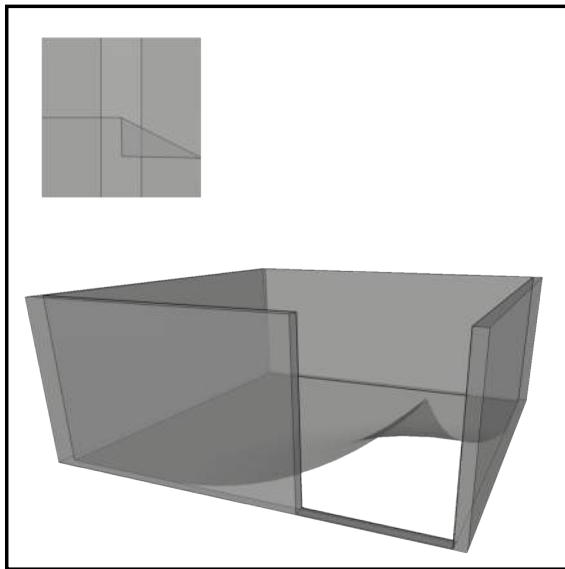


OR

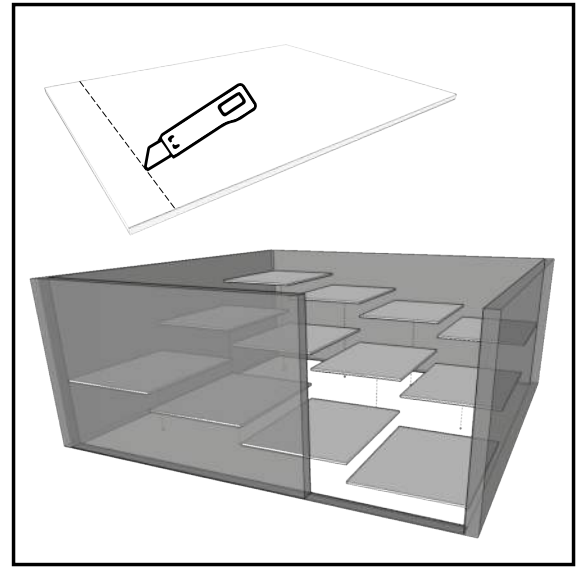
LAYOUT CLEAR PLASTIC VAPOR BARRIER

CUT MEMORY FOAM TO FIT STALL

2

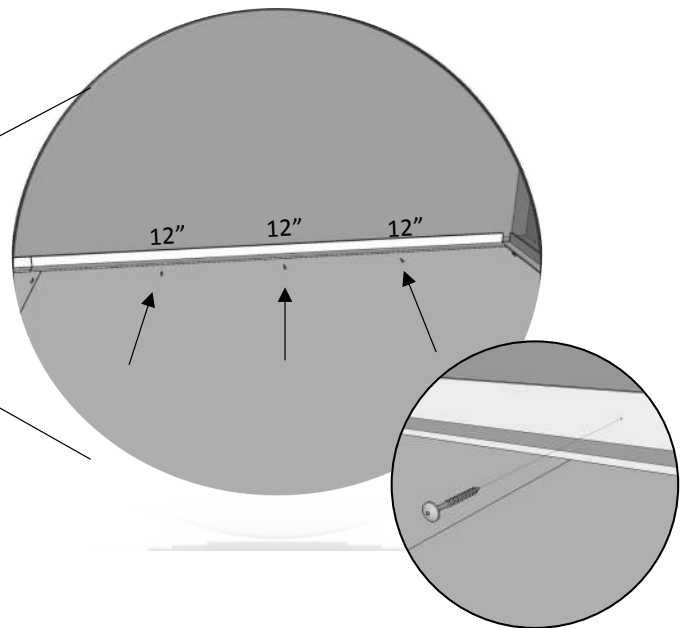
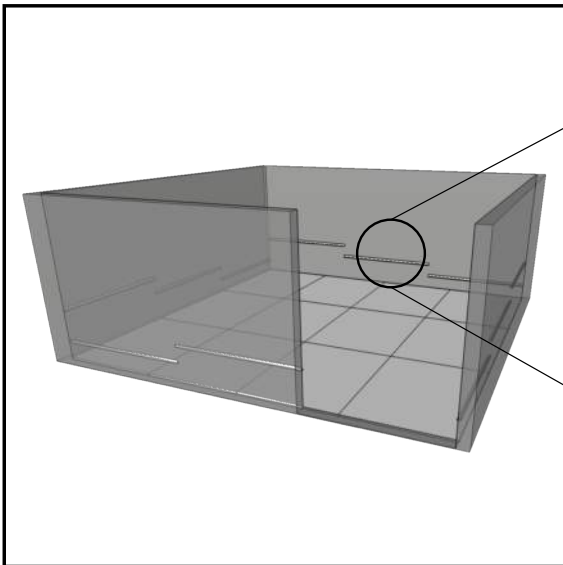


3



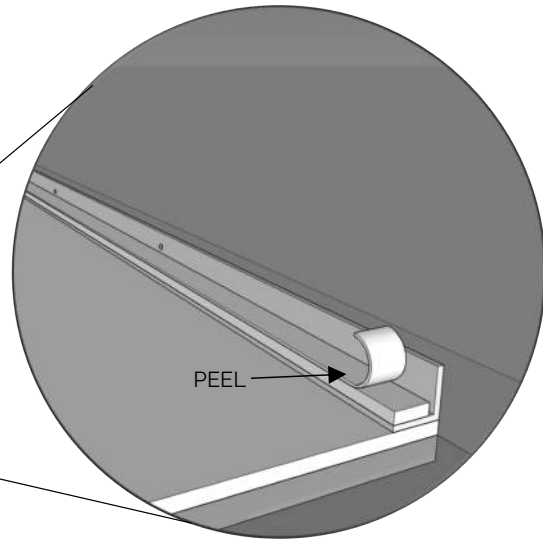
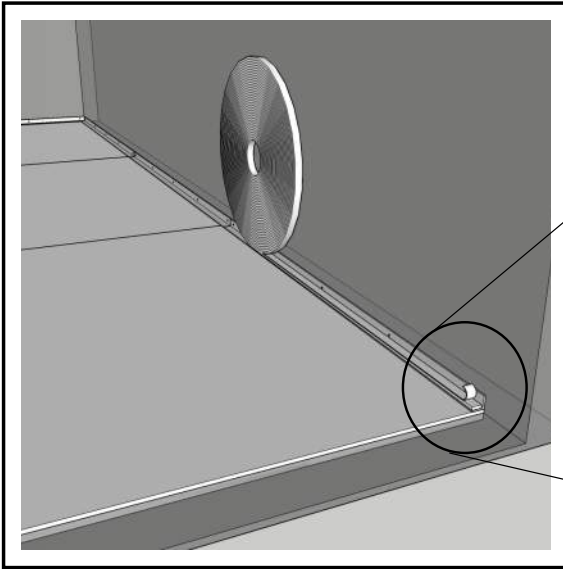
INSTALL FIBERGLASS L-TRIM

4



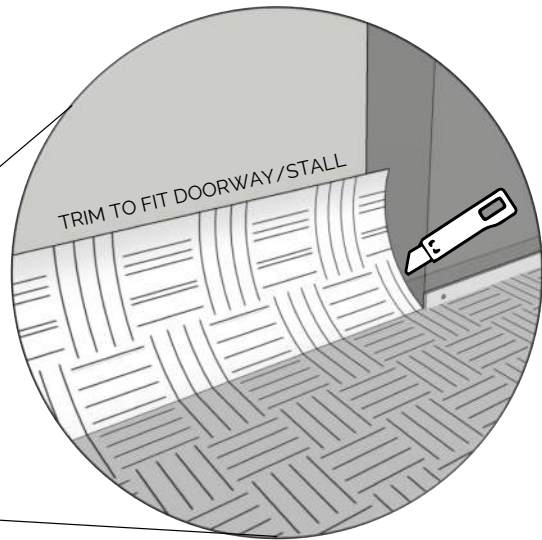
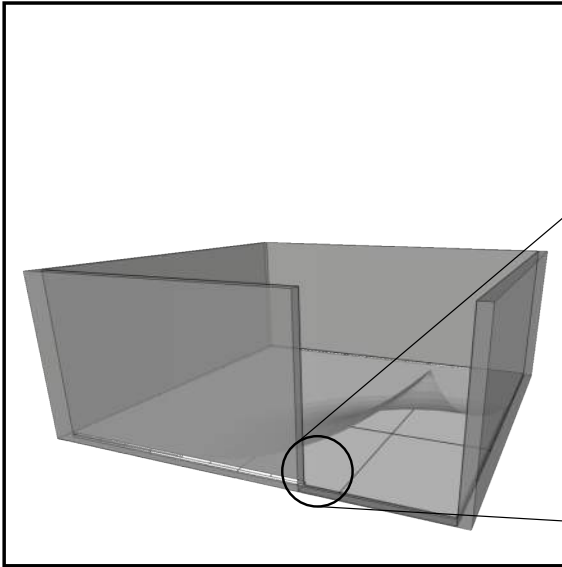
INSTALL FOAM GASKET ON TOP OF L-TRIM

5



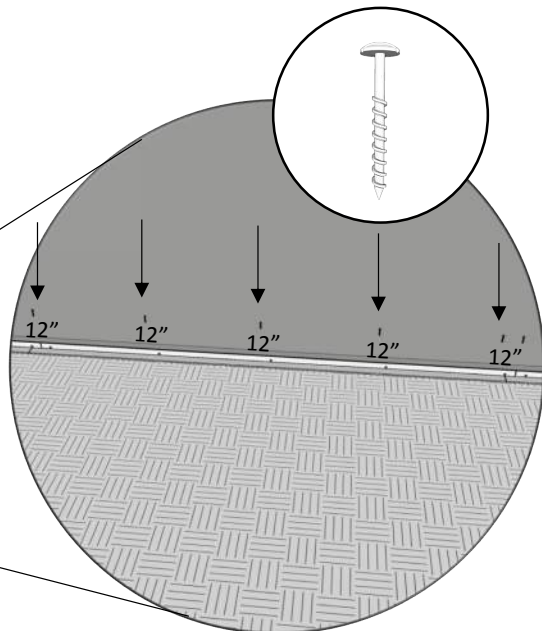
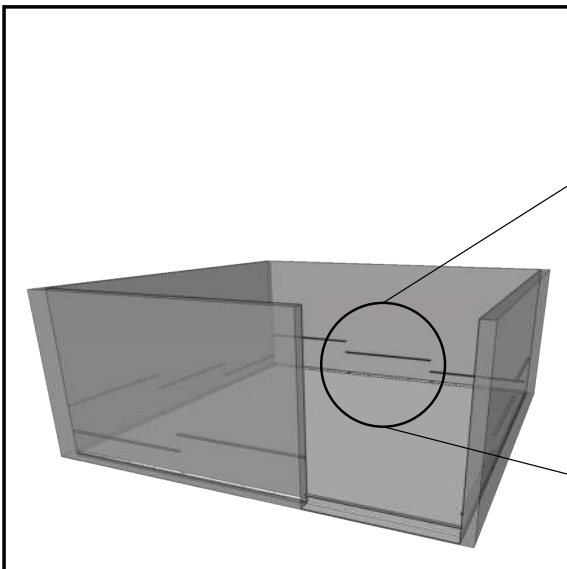
INSTALL TOP COVER, STICK TO FOAM GASKET

6



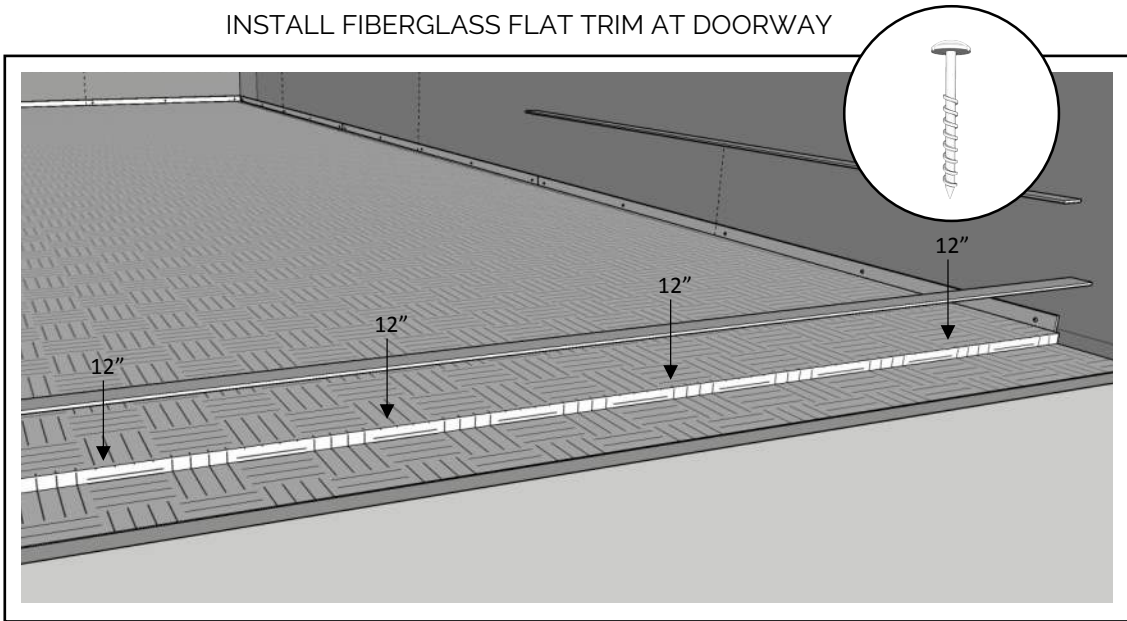
INSTALL FIBERGLASS FLAT TRIM

7



INSTALL FIBERGLASS FLAT TRIM AT DOORWAY

8



Enjoy your SmartStall™

